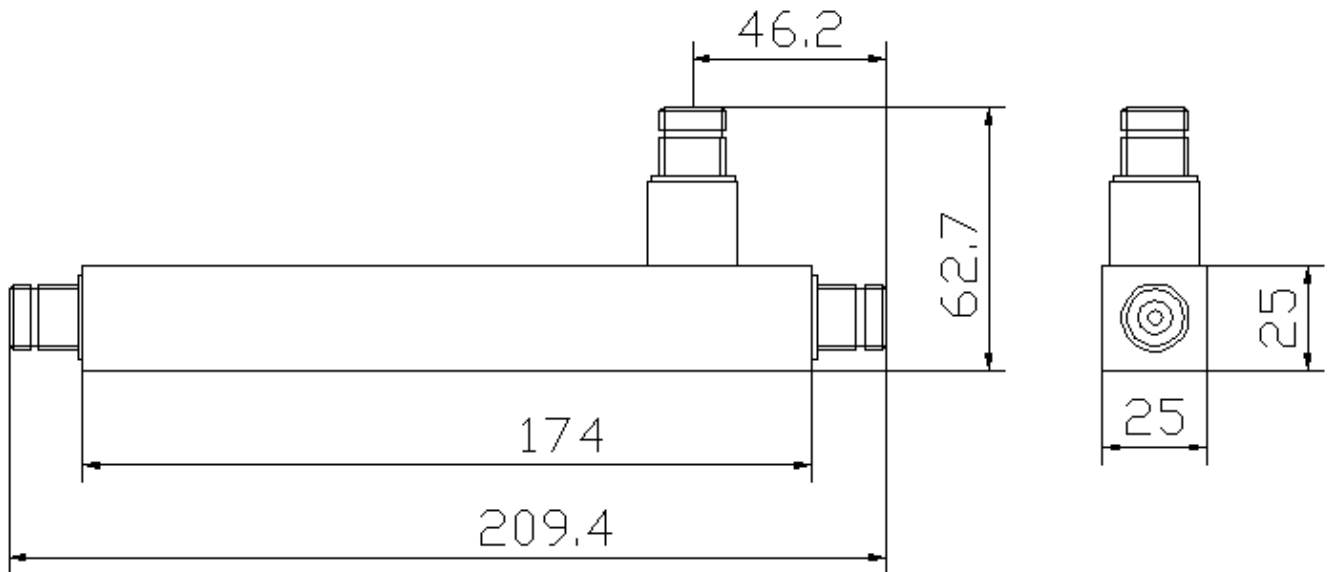


Frequency Range: 800-2500MHz

Technical Data

Model No.	Coupling	Insertion Loss
DNTP-825-6-N	6±0.7dB	≤1.7dB
DNTP-825-7-N	7 ±0.7dB	≤1.4dB
DNTP-825-10-N	10 ± 0.9dB	≤0.8dB
DNTP-825-15-N	15 ±1.2dB	≤0.4dB
VSWR: ≤1.4		Power: 200W
RF Connector: N-Female		
Impedance: 50Ω		Temperature: -20~+70



Model No.	Coupling	Insertion Loss
DNTP-825-20-N	20 ± 1.5dB	≤0.3dB
DNTP-825-30-N	30 ± 1.5dB	≤0.3dB
VSWR: ≤1.4		Power: 200W
RF Connector: N-Female		
Impedance: 50Ω		Temperature: -20~+70

