



**10**  
MAIN CATALOGUE



## Power columns

ELECTRIC SOLUTIONS

V0825

# Contents

---

## Introduction

---

Introduction	3
--------------	---

---

## Power columnn

---

ES 100	4-7
ES 160	8-11
ES-LED 160	12-13
ES 230	14-16

---

## Applications

---

Applications	17
--------------	----

---

## RONDO

---

RONDO M	18-21
RONDO L	22-26
Sash locks for RONDO M and L	27

---

## QUADRO

---

QUADRO S	28-31
QUADRO M	32-35
QUADRO L	36-39
Sash locks for QUADRO M and L	40

---

## Solutions for industry

---

Efficient Solutions	41
---------------------	----

---

## Solutions for leisure facilities

---

Individual Solutions	42
----------------------	----

---

## Solutions Infrastructure

---

Flexible Solutions	43
--------------------	----

---

# Introduction

---

The energy column: a variant in which a column is installed from which everything necessary, such as electricity and/or water, can be obtained. Thanks to the wide range of options in terms of material, design, height, colour, open or lockable design, with or without lighting, the right model can be found for every application – whether on the campsite, in the harbour or even in your own garden.

Thanks to power columns from GIFAS, electricity is quickly available everywhere and without complicated installation. As with all our products, we also place great emphasis on high-quality components and first-class workmanship. Whether indoors or outdoors: we enable customised solutions that leave nothing to be desired.

Discover our wide range of models in this catalogue and find the right solution for your individual requirements.

## Possible connections

---

- electricity
- water
- compressed air
- video, audio
- telematics/IT
- control/reporting devices
- IT/data

## Advantages

---

- electricity quickly available at all times
- no electric cables lying around, no risk of tripping
- no more elaborate provisional installations required
- maximum safety despite very easy operation
- low maintenance and thus negligible operating costs
- solid, including against vandalism

## Our services

---

- individual advice, also on site
- proven and balanced standard range
- quotation with 3D drawing
- customised, client-specific solutions
- production of single items and series



- ✓ = From stock, offer subject to prior sale
- further dimensions/designs available on request
- various accessories and spare parts available

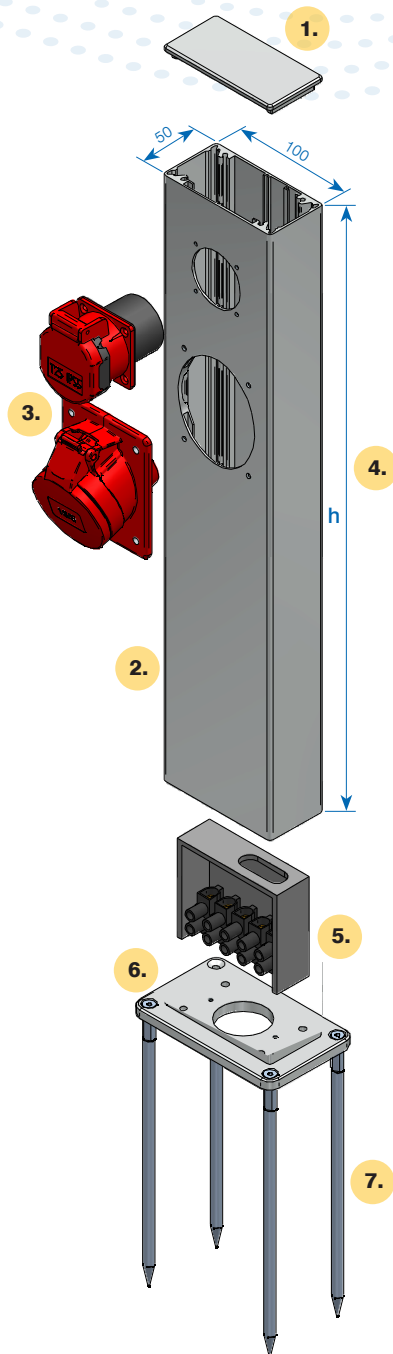
The ES 100 (floor panel 130×80mm) can be equipped on two sides.

In the case of the ES 100 we have several standard types, which are listed below as product range. Due to the height of the columns, the equipments and specific solutions, we would be glad to work out together with you.

## Product features

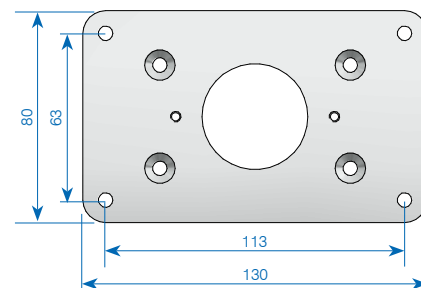
- the aluminium column is ideal for the outdoor area, it's corrossions free and of high mechanical resistance.
- we offer the design with protection degree IP54 for ceramic and tiled floors that have to be washed.

<b>Technical data</b>	
<b>Design / Material</b>	Aluminium profile, anodised
<b>Dimensions</b>	<ul style="list-style-type: none"> <li>– 100×50×h in mm closed aluminium profile</li> <li>– height according to customer wishes (up to 5'900mm possible)</li> </ul>
<b>Colour</b>	<ul style="list-style-type: none"> <li>– standard: aluminium, colourless anodised</li> <li>– on request: painted in standard colour chart (RAL)</li> </ul>
<b>Protection category</b>	High protection degree, up to max. IP65; can also be used in wet area
<b>Media</b>	<ul style="list-style-type: none"> <li>– electricity</li> <li>– water</li> <li>– compressed air</li> <li>– video, audio</li> <li>– telematics/IT</li> <li>– control/reporting devices</li> <li>– IT/data</li> </ul>
<b>Attachment</b>	<ul style="list-style-type: none"> <li>– floor panel</li> <li>– support flange</li> <li>– rod</li> </ul>
<b>Equipment</b>	<ul style="list-style-type: none"> <li>– for 2-sided equipment with all standard device programs</li> <li>– equipped or unequipped, customer-specific</li> </ul>
<b>Terminal blocks in tension spring technology</b>	<ul style="list-style-type: none"> <li>– cross-section and number's according to requirements</li> <li>– mounted on DIN-rail system</li> <li>– DIN-rail mounted on distance bolts</li> </ul>
<b>Standard types (from stock)</b>	yes
<b>Scope of delivery</b>	The ES 100 is supplied according to customer requirements with floor panel.



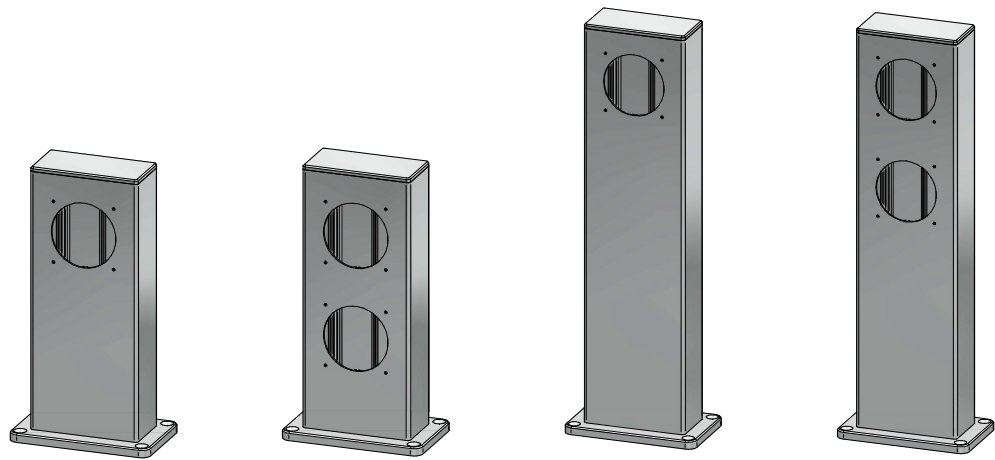
1. Ceiling panel
2. Aluminium profile
3. Customised equipment, e.g (max. CEE 16/5)
4. Height according to customer wishes (max. 5'900mm) or standard types from stock (see p. 6+7)
5. Terminal block integrated in
6. Floor panel
7. Rod as an optional accessory; we recommend using ground spikes up to a maximum column height of 400mm (leverage effect!)

## Floor panel

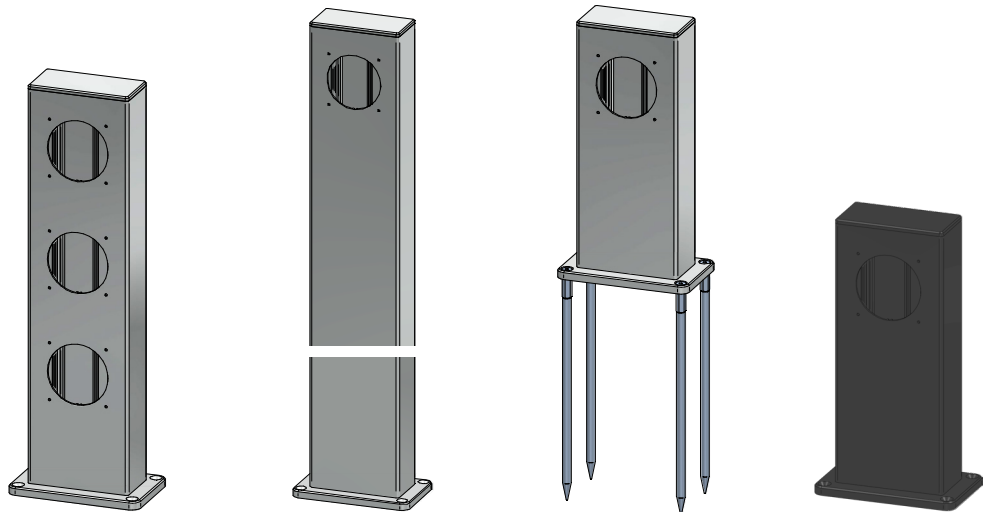


# ES 100

## Standard range without components (with drillings NUP)



Item no.	073341 ✓	081036 ✓	106783 ✓	162264 ✓
Height	250mm	250mm	400mm	400mm
Equipment	drilling 1×NUP	drilling 2×NUP	drilling 1×NUP	drilling 2×NUP
Colour	anodised aluminium	anodised aluminium	anodised aluminium	anodised aluminium
Attachment	Floor panel	Floor panel	Floor panel	Floor panel



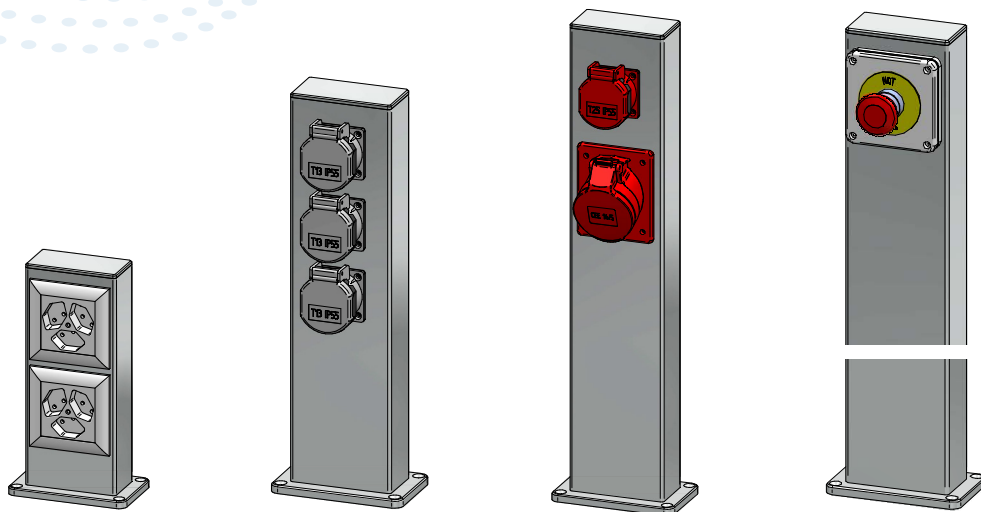
Item no.	027850 ✓	141774 ✓	253341	152252 ✓
Height	400mm	950mm	250mm	250mm
Equipment	drilling 3×NUP	drilling 1×NUP	drilling 1×NUP	drilling 1×NUP
Colour	anodised aluminium	anodised aluminium	anodised aluminium	black painted RAL 9005
Attachment	Floor panel	Floor panel	4 rods V2A	Floor panel

### Accessories

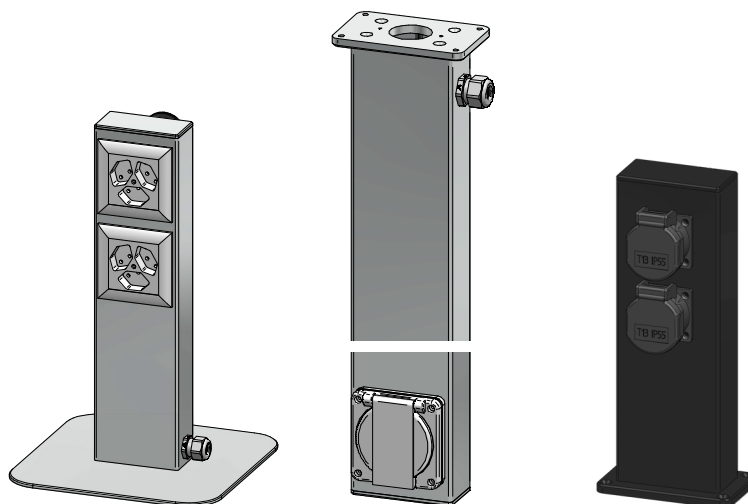
253545 ✓ Set of rods V2A for power column ES 100

# ES 100

## Standard range with components



Item no.	098952	228052 ✓	228058 ✓	099489
Height	250 mm	390 mm	500 mm	950 mm
Equipment	2×3-fold T13 open	3×T13	1×T25 1×CEE 16/5	1×Emergency off button
Max. pre-fuse	13A	13A	16A	3A
Colour	anodised aluminium	anodised aluminium	anodised aluminium	anodised aluminium
Protection category	IP20	IP55	IP44	IP55
Attachment	Floor panel	Floor panel	Floor panel	Floor panel



Item no.	242253	229596	228050 ✓
Height	400 mm	780 mm	300 mm
Equipment	2×3-fold T13 open	1×T13 NUP	2×T13
Max. pre-fuse	13A	13A	13A
Colour	anodised aluminium	anodised aluminium	black painted RAL9005
Protection category	IP20	IP55	IP55
Attachment	Floor panel	Ceiling connection	Floor panel

### Accessories

253545 ✓ Set of rods V2A for power column ES 100

The ES 160 (floor panel 210×160 mm) can be equipped on all four sides, and is ideal for applications with many connections and various options, especially in industrial and operational facilities.

We also have several types of the ES 160, which are listed on the following pages. Due to the height of the columns, the equipments and specific solutions, we would be glad to work together with you.

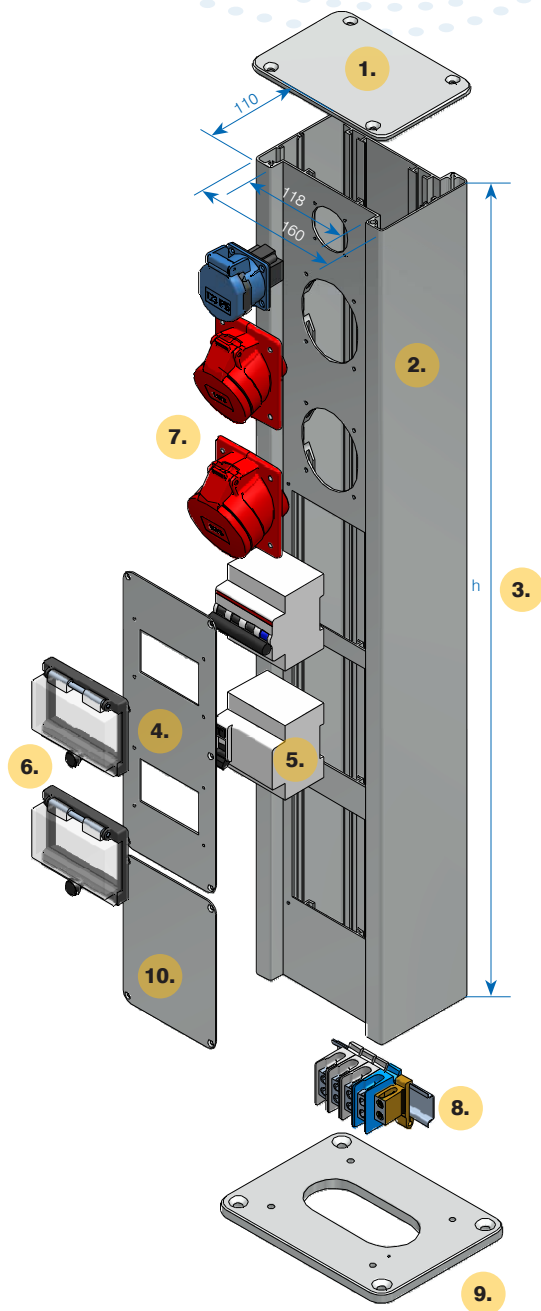
## Product features

- The ceiling connection version made of closed aluminium profiles for vertical connection technology is a special option. It permits supply from the ceiling or floor. The profile guarantees great stability and the equipments are simultaneously protected.
- The ES 160 is available up to a height of 5'900 mm and can be bored and equipped individually according to customer wishes.

<b>Technical data</b>	
<b>Design / Material</b>	Aluminium profile, anodised
<b>Dimensions</b>	<ul style="list-style-type: none"> <li>– 160×110×h mm closed aluminium profile</li> <li>– height according to customer wishes (up to 5'900 mm possible)</li> </ul>
<b>Colour</b>	<ul style="list-style-type: none"> <li>– standard: aluminium, colourless anodised</li> <li>– on request: painted in standard colour chart (RAL)</li> </ul>
<b>Protection category</b>	High protection degree, up to max. IP65; can also be used in wet area
<b>Media</b>	<ul style="list-style-type: none"> <li>– electricity</li> <li>– water</li> <li>– compressed air</li> <li>– video, audio</li> <li>– telematics/IT</li> <li>– control/reporting devices</li> <li>– IT/data</li> </ul>
<b>Attachment</b>	<ul style="list-style-type: none"> <li>– floor panel</li> <li>– support flange</li> <li>– clamping device for space column</li> </ul>
<b>Equipment</b>	<p>Possible on all four sides, according to customer wishes:</p> <ul style="list-style-type: none"> <li>– for equipment on both sides with all standard device programs (side A and side B)</li> <li>– for equipment on both sides with all CEE flush plug-in connectors (side A and side B)</li> <li>– fuses: circuit breaker and ground fault circuit breaker (side A or side B)</li> <li>– compressed air connection, ¼-inch up to two one-hand operation quick action couplings (side C or D)</li> </ul>
<b>Terminal blocks in tension spring technology</b>	<ul style="list-style-type: none"> <li>– up to 16 mm<sup>2</sup></li> <li>– 5-pin L1, L2, L3, N, PE</li> <li>– mounted on bearing rail system</li> <li>– bearing rail mounted on distance bolts</li> </ul>
<b>Standard types (from stock)</b>	yes
<b>GIFAS scope of delivery</b>	the ES 160 is supplied as per customer requirements with floor panel, with ceiling panel, with terminal block (up to 16 mm <sup>2</sup> )

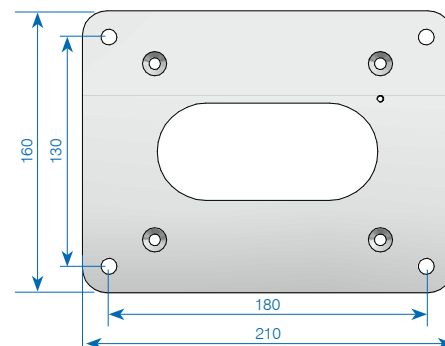
# ES 160

## Construction

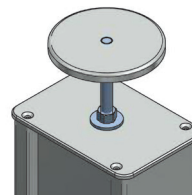


1. Ceiling panel
2. Aluminium profile
3. Height according to customer wishes (max. 5'900mm)
4. Cover
5. Fuse blocks
6. Self-closing protection flap
7. Customised equipment (max. CEE 63/5)
8. Terminal block
9. Floor panel
10. Inspection flap

### Floor panel



### Ceiling connection column



Tightening device consisting of:

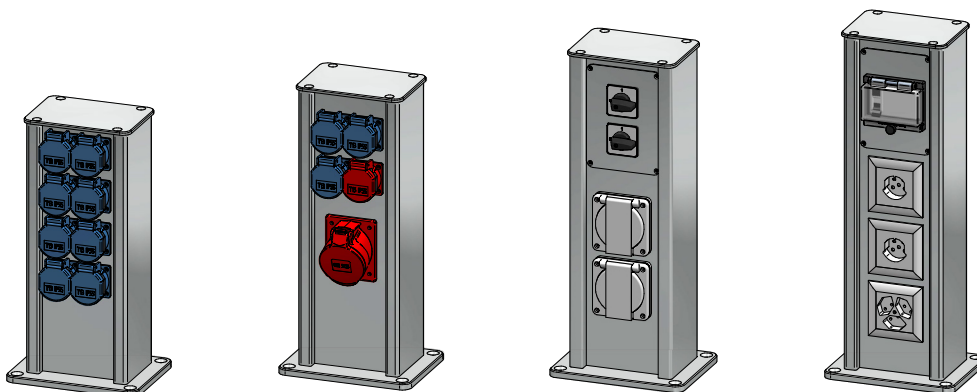
- aluminium panel
- M12 threaded tree rod
- nuts and washers

Floor panel is not bolted:

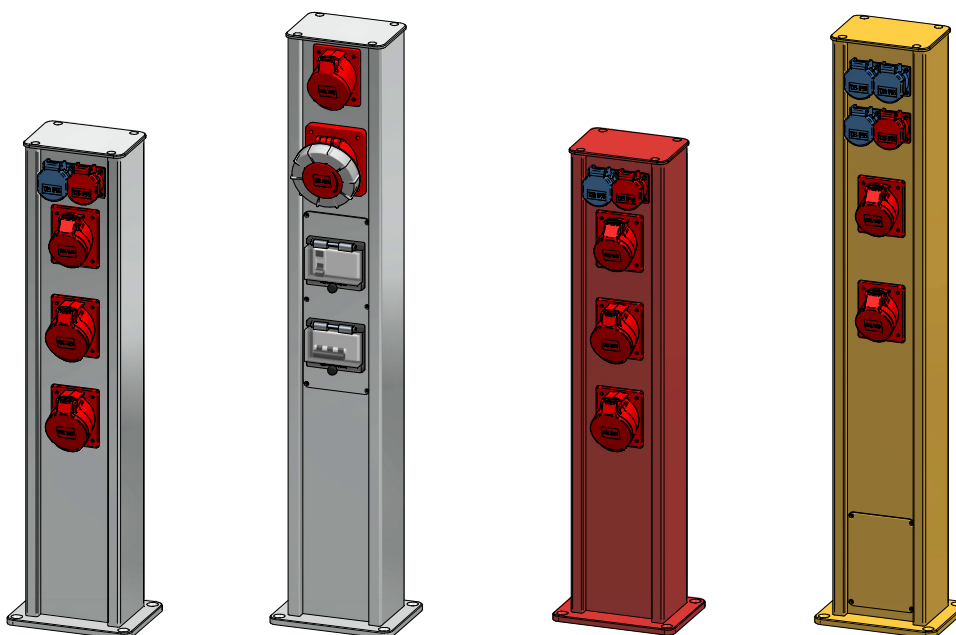
- no risk e.g. for floor heating

# ES 160

## Standard range



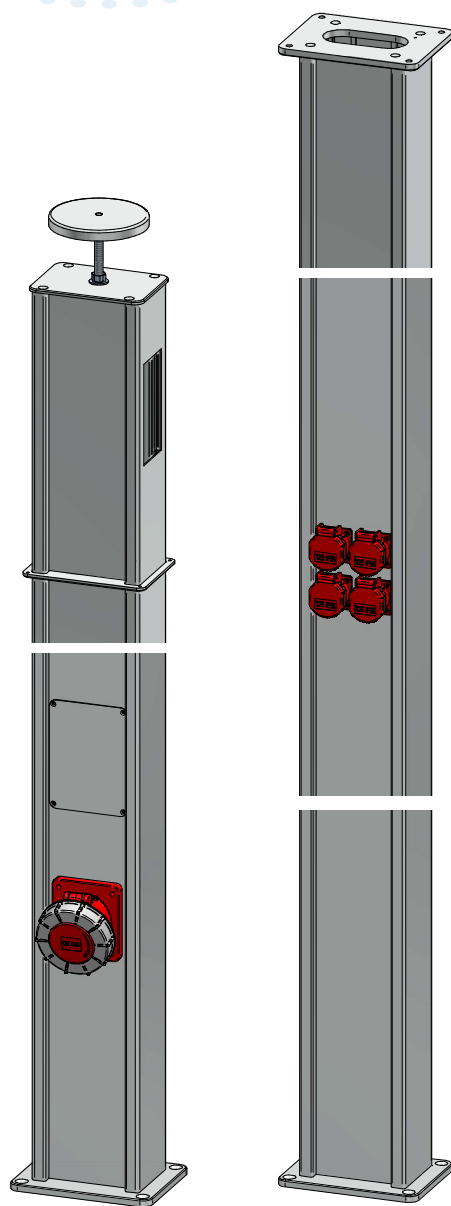
Item no.	228831	228835	229597	072766
Height	410mm	450mm	500mm	550mm
Equipment	8×T13	3×T13 1×T15 1×CEE 32/5	2×T13 NUP 2×Switch 1P-20A	1×3-fold T13 2×T15 (open) 1×RCCB 4-40/30mA
Max. pre-fuse	13A	13A/32A	16A	13A
Colour	anodised aluminium	anodised aluminium	anodised aluminium	anodised aluminium
Protection category	IP55	IP44	IP55	IP20
Attachment	Floor panel	Floor panel	Floor panel	Floor panel



Item no.	228060	028421	228836	228837
Height	800mm	1'000mm	800mm	1'000mm
Equipment	1×T23 1×T25 1×CEE 16/5 2×CEE 32/5	1×CEE 32/5 1×CEE 63/5 1×FI 4-40/30mA 1×LS 3-32	1×T23 1×T25 1×CEE 16/5 2×CEE 32/5	3×T23 1×T25 2×CEE 16/5
Max. pre-fuse	16A/32A	63A	16A/32A	16A
Colour	anodised aluminium	anodised aluminium	red painted RAL 3020	yellow painted RAL 1023
Protection category	IP44	IP44	IP44	IP44
Attachment	Floor panel	Floor panel	Floor panel	Floor panel

# ES 160

## Standard range



Item no.	026065	228840
Height	3'640mm	5'940mm
Equipment	1×CEE 63/5	6×T25 1×CEE 16/5 3×air
Max. pre-fuse	63A	16A
Colour	anodised aluminium	anodised aluminium
Protection category	IP67	IP44
Attachment	Room column with clamping device	Ceiling connection

# ES-LED 160

The ES-LED energy column consists of an ES 160 energy column with LED luminaire head on top. The ES luminaire head is made of frosted PMMA plastic. The LED light source is available in two colour variants (cold white and warm white). The system is ready for connection with connection from the bottom. A standard assortment is available ex stock or realisable at short notice.

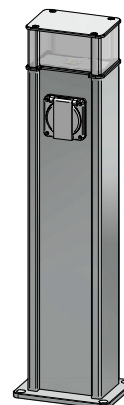
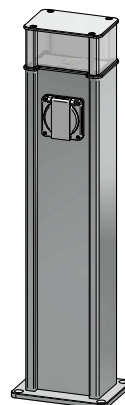
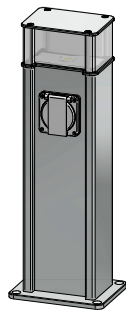
## Product features

- direct mains supply connection (no power supply unit needed)
- 360° light distribution
- can be used for the entire ES 160 range
- retrofit equipping possible
- 2 light colour variants available
- high light efficiency
- low power consumption
- long lifetime
- vibration-resistant
- immediate light output

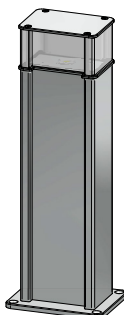
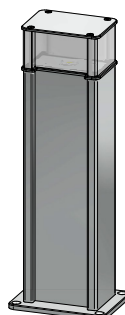
<b>Technical data</b>	
<b>Operating voltage</b>	230 VAC
<b>Electric power supply</b>	Power supply
<b>Illuminant</b>	1 × 4.5W LED-modul
<b>Light output</b>	84.4lm/W
<b>Lighting current</b>	380lm
<b>Colour temperature</b>	3'000K or 4'000K
<b>CRI</b>	RA >80
<b>Protection category</b>	IP54
<b>Protection class</b>	I (Protective conductor)
<b>Temperature range operation</b>	-20° C to +40° C
<b>Light unit material</b>	PMMA satinised
<b>Decorative feature material</b>	anodised aluminium
<b>Attachment</b>	<ul style="list-style-type: none"><li>- Floor panel</li><li>- Support flange</li></ul>

# ES-LED 160

## Standard range

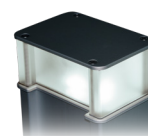
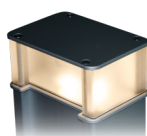


Item no.	230616	230617	230618	230619
Height	400 mm	400 mm	600 mm	600 mm
Equipment	1×T13 NUP	1×T13 NUP	1×T13 NUP	1×T13 NUP
Max. pre-fuse	13A	13A	13A	13A
Lighting	LED 3'000K	LED 4'000K	LED 3'000K	LED 4'000K
Colour	anodised aluminium	anodised aluminium	anodised aluminium	anodised aluminium
Protection category	IP54	IP54	IP54	IP54
Attachment	Floor panel	Floor panel	Floor panel	Floor panel



Item no.	230612	230613	230614	230615
Height	400 mm	400 mm	600 mm	600 mm
Equipment	–	–	–	–
Max. pre-fuse	13A	13A	13A	13A
Lighting	LED 3'000K	LED 4'000K	LED 3'000K	LED 4'000K
Colour	anodised aluminium	anodised aluminium	anodised aluminium	anodised aluminium
Protection category	IP54	IP54	IP54	IP54
Attachment	Floor panel	Floor panel	Floor panel	Floor panel

## Luminaire head



Item no.	861013	861014
Dimensions	170×92.6×120 mm	170×92.6×120 mm
Lighting	LED 3'000K	LED 4'000K

The ES 230 (floor plate 330×250mm) can be equipped on all four sides and is ideal for applications with many connections and various options, especially in industrial and operational facilities.

We have several types, which are listed on the following pages. Due to the height of the columns, the equipments and specific solutions, we would be glad to work together with you.

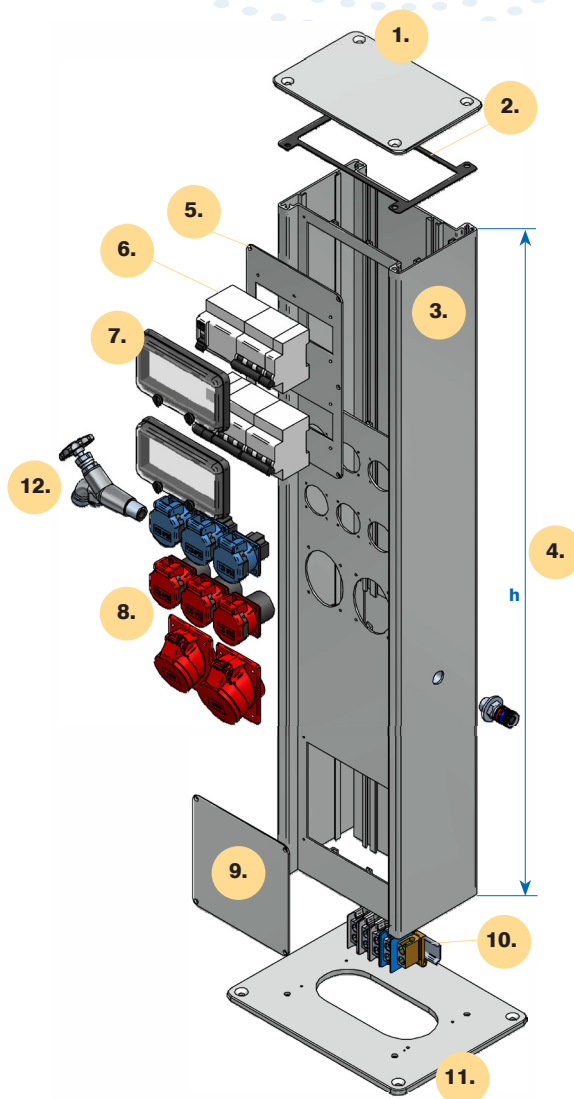
## Product features

- The columns are generally equipped with floor panel and connection terminals.
- A baffle plate is inserted to separate various electrical circuits.
- The aluminium column is corrosion-free and extremely robust, making it ideal for outdoor use.

<b>Technical data</b>	
<b>Design / Material</b>	Aluminium profile, anodised
<b>Dimensions</b>	<ul style="list-style-type: none"> <li>- 230×150×h mm closed aluminium profile</li> <li>- height according to customer wishes (up to 5'900 mm possible)</li> </ul>
<b>Colour</b>	<ul style="list-style-type: none"> <li>- standard: aluminium, colourless anodised</li> <li>- on request: painted in standard colour chart (RAL)</li> </ul>
<b>Protection category</b>	High protection degree, up to max. IP65; can also be used in wet area
<b>Media</b>	<ul style="list-style-type: none"> <li>- electricity</li> <li>- water</li> <li>- compressed air</li> <li>- video, audio</li> <li>- telematics/IT</li> <li>- control/reporting devices</li> <li>- IT/data</li> </ul>
<b>Attachment</b>	Floor panel
<b>Equipment</b>	<p>Possible on all four sides, according to customer wishes:</p> <ul style="list-style-type: none"> <li>- for equipment on both sides with all standard device programs (side A and side B)</li> <li>- for equipment on both sides with all CEE flush plug-in connectors (side A and side B)</li> <li>- fuses: circuit breaker and ground fault circuit breaker (side A or side B)</li> <li>- compressed air connection, ¼-inch up to two one-hand operation quick action couplings (side C or D)</li> </ul>
<b>Terminal blocks in tension spring technology</b>	<ul style="list-style-type: none"> <li>- up to 70 mm<sup>2</sup></li> <li>- 5-pin L1, L2, L3, N, PE</li> <li>- mounted on bearing rail system</li> <li>- bearing rail mounted on distance bolts</li> </ul>
<b>Standard types (from stock)</b>	no
<b>Scope of delivery GIFAS</b>	The ES 230 is supplied as per customer requirements with floor panel, with ceiling panel, with terminal block (up to 70 mm <sup>2</sup> ).

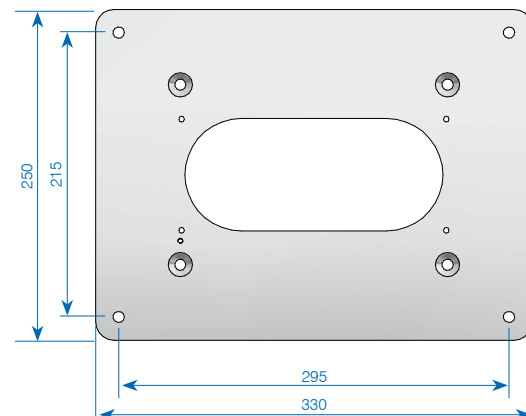
# ES 230

## Construction



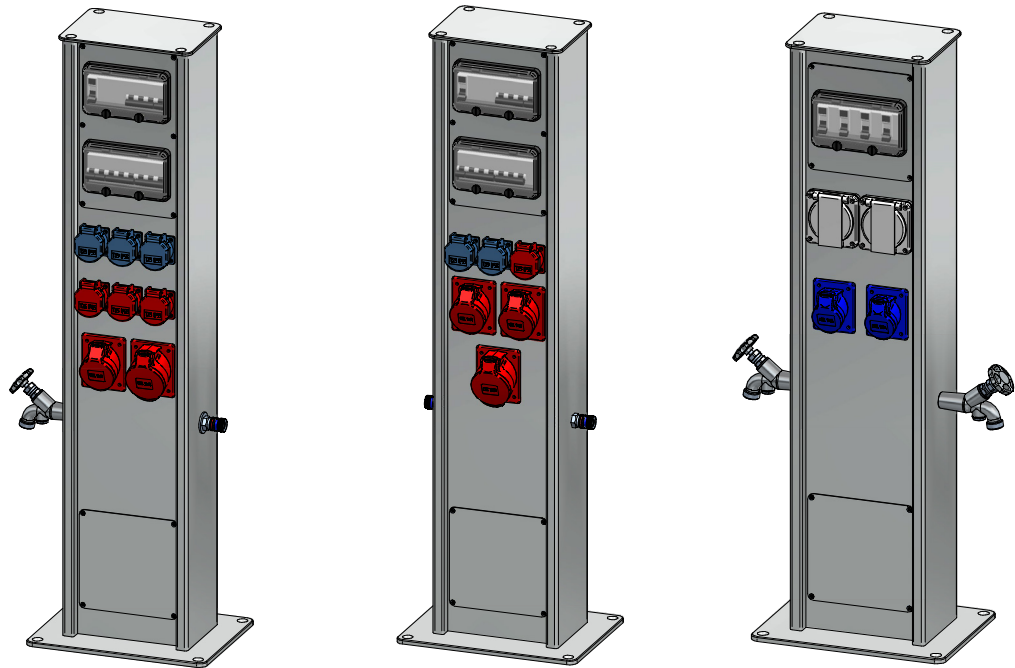
1. Ceiling panel
2. Gasket
3. Aluminium profile
4. Height according to customer wishes (max. 5'900mm)
5. Cover
6. Fuse blocks
7. Self-closing protection flap
8. Customised equipment
9. Service lid
10. Terminal block
11. Floor panel
12. Water and/or air

### Floor panel



# ES 230

## Standard range

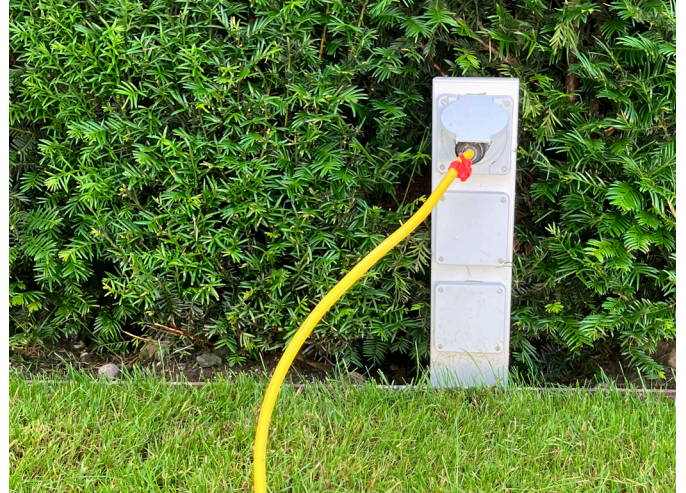


Item no.	228841	228843	229599
Height	1'100mm	1'100mm	1'100mm
Equipment	3×T23 3×T25 1×CEE 16/5 1×CEE 32/5 1×water 1×air	2×T23 1×T25 2×CEE 16/5 1×CEE 32/5 2×air	2×T23 NUP 2×CEE 16/3 2×water
Max. pre-fuse	63A	63A	63A
Colour	anodised aluminium	anodised aluminium	anodised aluminium
Protection category	IP44	IP44	IP44
Attachment	Floor panel	Floor panel	Floor panel

# Applications



Power column ES 100



Power column ES 100



Power column ES 160



Power column ES 160



Power column ES-LED 160



Power column ES 230

The RONDO consists of a robust, solid housing with a lockable door. Thanks to the modular design, the desired equipment can be installed.

The RONDO is assembled on a concrete base provided on-site by the customer or on the optionally available floor flange. The RONDO can then be connected to the power supply and is thereby ready for operation.

The insertion piece for the cable outlet can be lifted for operation, meaning that operation is also possible with the door closed. The RONDO is completely wired up by GIFAS and delivered ready for connection.

We are also happy to provide specific customer solutions.

## Floor flange optionally

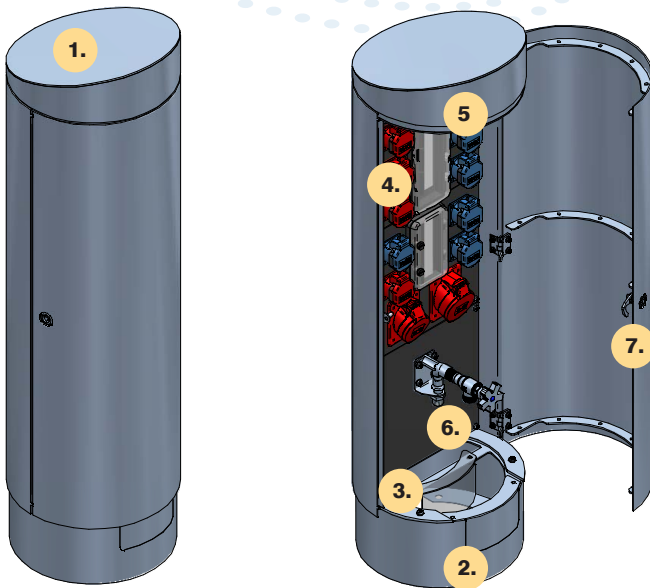
The bottom flange is made of stainless steel V2A, 1.4301, with anti-rotation protection. The anchoring is used if a concrete base for the RONDO assembly has not been provided on-site by the customer. The excavation work and the professional assembly of the floor flange in accordance with the standards have to be carried out on site.

Technical data	
Ø	324 mm
Height	1'158 mm
Weight	~55 kg
Material	stainless steel V2A, 1.4301
Wall thickness	3 mm
Surface/Colour	V2A polished (optional RAL 9007 – other colours on request)
Protection category	IP44
Locking device	triangle lock 8 mm
Water connection	input 1/2" output 3/4"
Air connection	input 1/2" output eSafe quick coupling
Max. access	2×Ø36 mm
Max. equipment	CEE 32 A
Max. pre-fuse	125 A
Interior lighting	optional (Item no. 256080)
Heating band	optional (in combination with water connection)
Floor flange	optional (Item no. 250213)



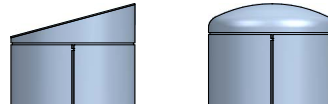
# RONDO M

## Construction



### 1. Column

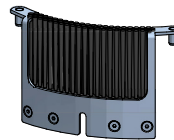
- weight: ~55 kg
- material: stainless steel V2A, 1.4301
- surface/colour: V2A polished, RAL 9007 or painted according to customer requirements
- cover: slanted, convex (round)



### 2. Cable outlet – insertion piece

Cable outlet flap removable 140×80 mm

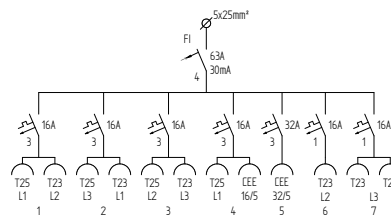
- optionally with strip brush (Item no. 257486)



### 3. Holder for cable outlet flap

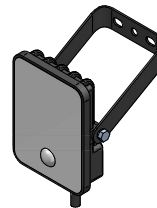
### 4. Power distribution

equipped according to customer requirements



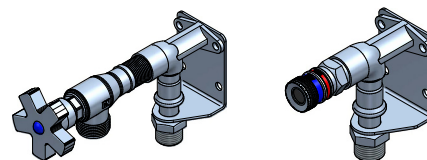
### 5. Interior lighting (optional)

230V LED spotlight with motion and daylight sensor



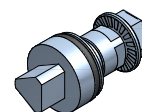
### 6. Water and air connection (optionally with heating band)

equipped according to customer requirements



### 7. Standard lock

Triangle lock 8 mm

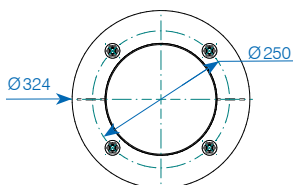
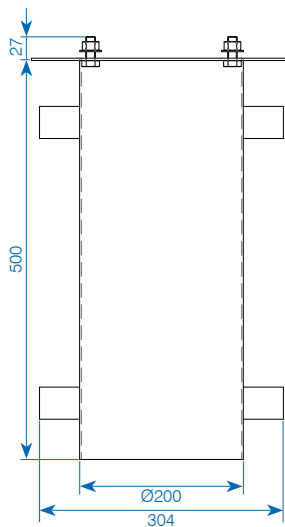
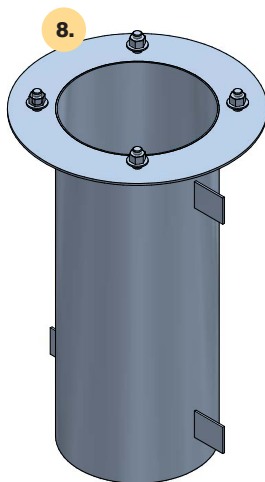


Other locks optionally, see page 27.

### 8. Floor flange (optional)

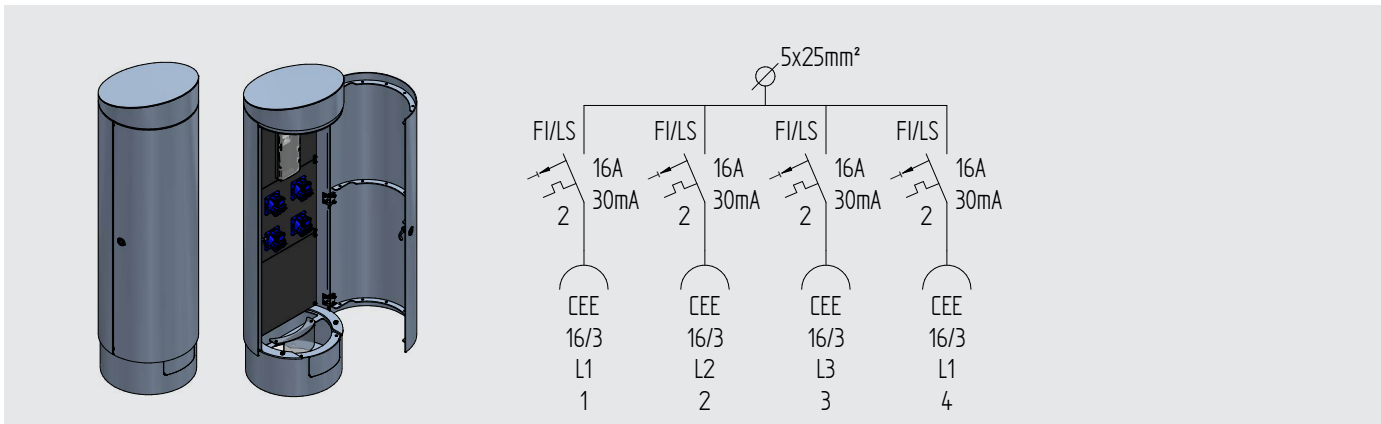
- ideal for installation in solid base (e.g. concrete)
- 4×M12×37 mm

## Measurements floor flange

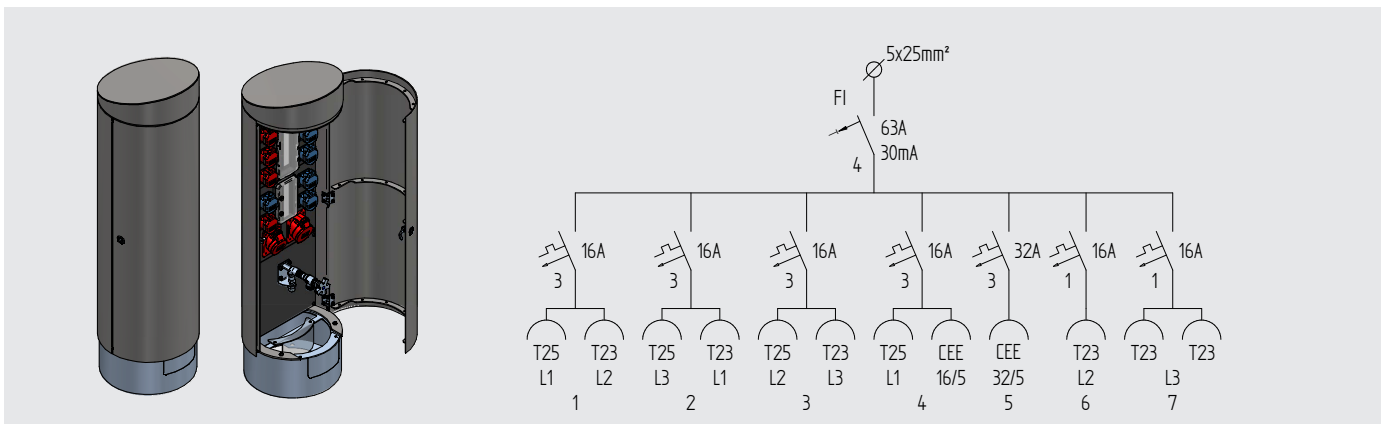


# RONDO M

## Standard range



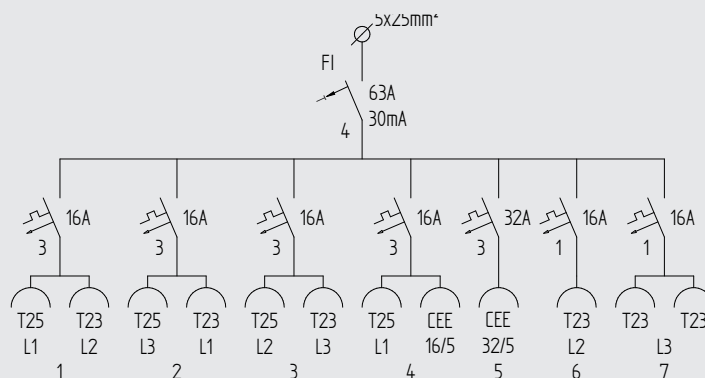
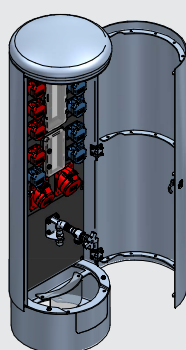
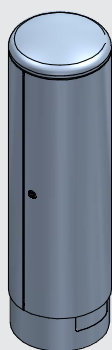
Item no.	<b>250391</b>
Ø	324 mm
Height	1'158 mm
Equipment	4×CEE 16/3
Input	2×cable entry grommet M50 Ø 22-36 mm
Max. pre-fuse	80 A
Surface/Colour	V2A polished
Cover	slanted
Locking device	triangle lock 8 mm (standard)
Protection category	IP44
Water connection	yes (input 1/2", output 3/4")
Attachment	on concrete base (4×Ø13.5 mm) or optionally with floor flange



Item no.	<b>250115</b>
Ø	324 mm
Height	1'158 mm
Equipment	6×T23 4×T25 1×CEE 16/5 1×CEE 32/5 Water connection
Input	2×cable entry grommet M50 Ø 22-36 mm
Max. pre-fuse	63 A
Surface/Colour	V2A painted RAL 9007 (grey aluminium)
Cover	slanted
Locking device	triangle lock 8 mm (standard)
Protection category	IP44
Water connection	yes (input 1/2", output 3/4")
Attachment	on concrete base (4×Ø13.5 mm) or optionally with floor flange

# RONDO M

## Standard range



Item no.	<b>250114</b>
Ø	324 mm
Height	1'158 mm
Equipment	6×T23 4×T25 1×CEE 16/5 1×CEE 32/5 Water connection
Input	2×cable entry grommet M50 Ø 22-36 mm
Max. pre-fuse	63 A
Surface/Colour	V2A polished
Cover	convex
Locking device	triangle lock 8 mm (standard)
Protection category	IP44
Water connection	yes (input 1/2", output 3/4")
Attachment	on concrete base (4×Ø13.5 mm) or optionally with floor flange

### Accessories

**250213** ✓ Floor flange stainless steel

**246789** ✓ Water tap stainless steel

**250452** ✓ Air connection stainless steel

**256080** ✓ Interior lighting LED spotlight 230V 10W, 3'000K, 750lm with motion and daylight sensor

**257486** ✓ Cable outlet-insertion piece with strip brush

**259845** Self-locking closure set

# RONDO L

The RONDO consists of a robust, solid housing with a lockable door. Thanks to the modular design, the desired equipment can be installed.

The RONDO is assembled on a concrete base provided on-site by the customer or on the optionally available floor flange. The RONDO can then be connected to the power supply and is thereby ready for operation.

The insertion piece for the cable outlet can be lifted for operation, meaning that operation is also possible with the door closed. The RONDO is completely wired up by GIFAS and delivered ready for connection.

We are also happy to provide specific customer solutions.

## Floor flange optionally

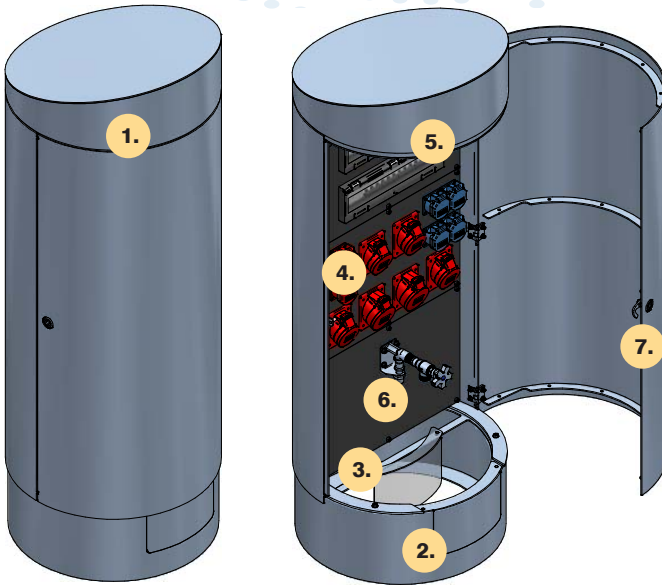
The bottom flange is made out of stainless steel V2A, 1.4301, with anti-rotation protection. The anchoring is used if a concrete base for the RONDO assembly has not been provided on-site by the customer. The excavation work and the professional assembly of the floor flange in accordance with the standards have to be carried out on site.

Technical data	
Ø	500 mm
Height	1'388 mm
Weight	~65 kg
Material	stainless steel V2A, 1.4301
Wall thickness	3 mm
Surface/ Colour	V2A polished (optional RAL 9007 – other colours on request)
Protection category	IP44
Locking device	triangle lock 8 mm
Water connection	Input 1/2" Output 3/4"
Air connection	Input 1/2" output eSafe quick coupling
Max. access	2×Ø60 mm
Max. equipment	CEE 125 A
Max. pre-fuse	160 A
Interior lighting	optional (Item no. 256080)
Heating band	optional (in combination with water connection)
Floor flange	optional (Item no. 250214)



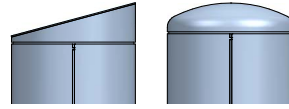
# RONDO L

## Construction



### 1. Column

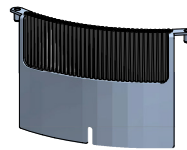
- weight: ~55 kg
- material: stainless steel V2A, 1.4301
- surface/colour: V2A polished, RAL 9007 or painted according to customer requirements
- cover: slanted, convex (round)



### 2. Cable outlet – insertion piece

Cable outlet flap removable 140×80 mm

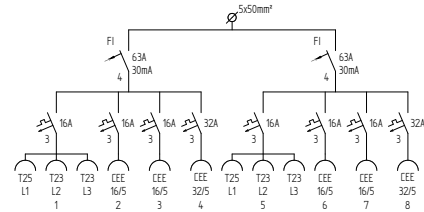
- optionally with strip brush (Item no. 257486)



### 3. Holder for cable outlet flap

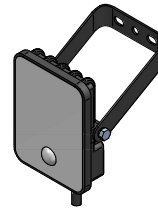
### 4. Power distribution

equipped according to customer requirements



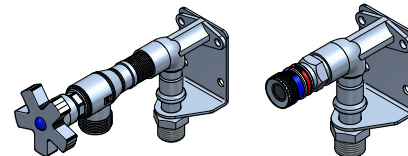
### 5. Interior lighting (optional)

230V LED spotlight with motion and daylight sensor



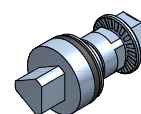
### 6. Water and air connection (optionally with heating band)

equipped according to customer requirements



### 7. Standard lock

Triangle lock 8 mm

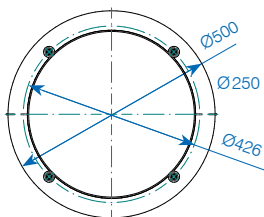
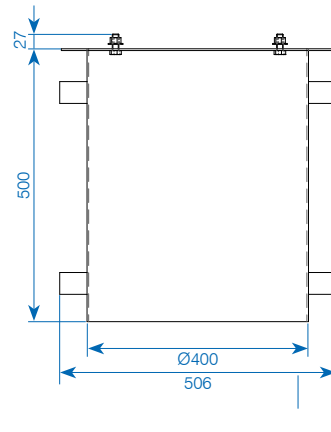
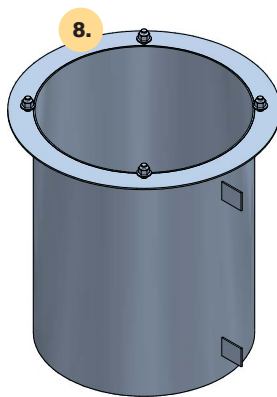


Other locks optionally, see page 19.

### 8. Floor flange (optional)

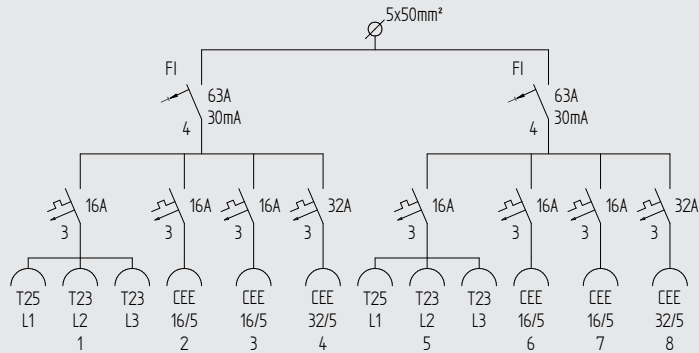
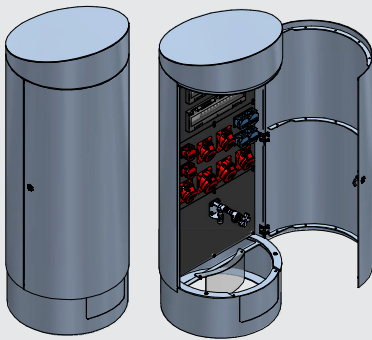
- ideal for installation in solid base (e.g. concrete)
- 4×M12×37 mm

## Measurements floor flange

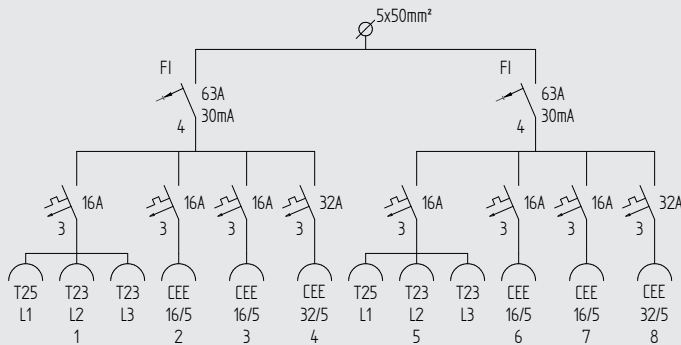
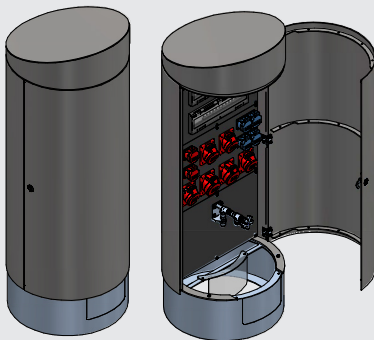


# RONDO L

## Standard range



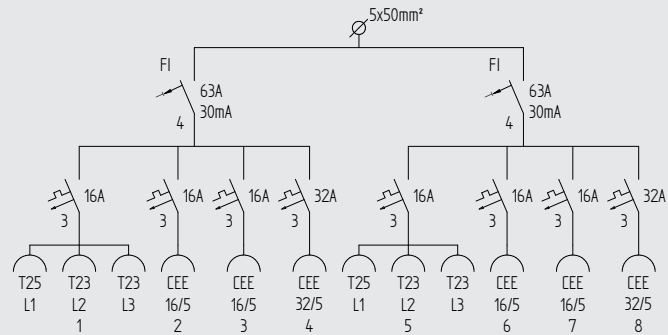
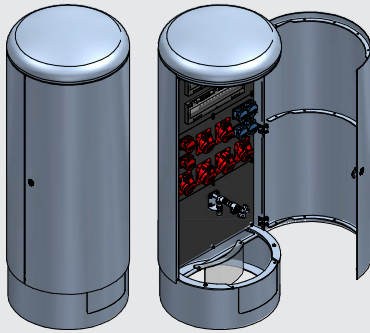
Item no.	<b>250109</b>
Ø	500 mm
Height	1'388 mm
Equipment	4×T23 2×T25 4×CEE 16/5 2×CEE 32/5 Water connection
Input	2× cable entry grommet M63 Ø27-50 mm
Max. pre-fuse	125 A
Surface/Colour	V2A polished
Cover	slanted
Locking device	triangle lock 8 mm (standard)
Protection category	IP44
Water connection	yes (input 1/2", output 3/4")
Attachment	on concrete base (4×Ø13.5 mm) or optionally with floor flange



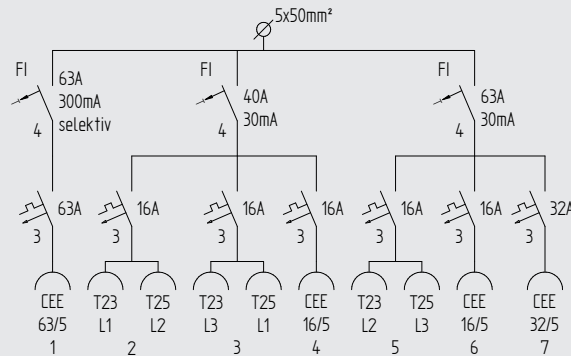
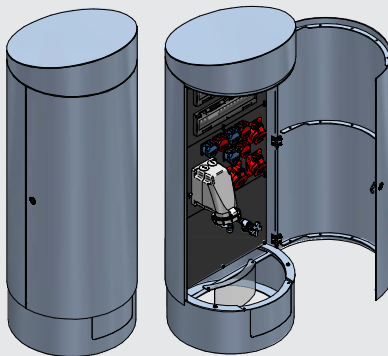
Item no.	<b>250112</b>
Ø	500 mm
Height	1'388 mm
Equipment	4×T23 2×T25 4×CEE 16/5 2×CEE 32/5 Water connection
Input	2× cable entry grommet M63 Ø27-50 mm
Max. pre-fuse	125 A
Surface/Colour	V2A painted RAL 9007 (grey aluminium)
Cover	slanted
Locking device	triangle lock 8 mm (standard)
Protection category	IP44
Water connection	yes (input 1/2", output 3/4")
Attachment	on concrete base (4×Ø13.5 mm) or optionally with floor flange

# RONDO L

## Standard range



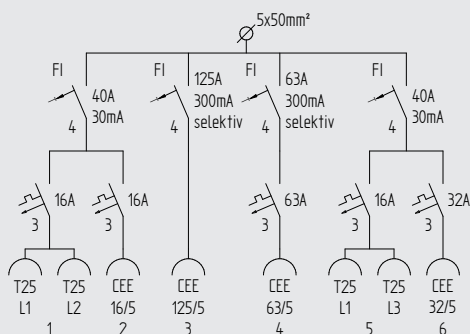
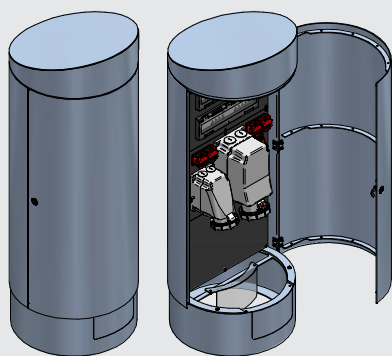
Item no.	<b>250111</b>
Ø	500 mm
Height	1'388 mm
Equipment	4×T23 2×T25 4×CEE 16/5 2×CEE 32/5 Water connection
Input	2×cable entry grommet M63 Ø27-50 mm
Max. pre-fuse	125A
Surface/Colour	V2A polished
Cover	convex
Locking device	triangle lock 8 mm (standard)
Protection category	IP44
Water connection	yes (input 1/2", output 3/4")
Attachment	on concrete base (4×Ø13.5 mm) or optionally with floor flange



Item no.	<b>250118</b>
Ø	500 mm
Height	1'388 mm
Equipment	3×T23 3×T25 2×CEE 16/5 1×CEE 32/5 1×CEE 63/5 Water connection
Input	2×cable entry grommet M63 Ø27-50 mm
Max. pre-fuse	125A
Surface/Colour	V2A polished
Cover	slanted
Locking device	triangle lock 8 mm (standard)
Protection category	IP44
Water connection	yes (input 1/2", output 3/4")
Attachment	on concrete base (4×Ø13.5 mm) or optionally with floor flange

# RONDO L

## Standard range



Item no.	<b>250120</b>
Ø	500 mm
Height	1'388 mm
Equipment	4×T25 1×CEE 16/5 1×CEE 32/5 1×CEE 63/5 1×CEE 125/5
Input	2×cable entry grommet M63 Ø27-50 mm
Max. pre-fuse	125 A
Surface/Colour	V2A polished
Cover	slanted
Locking device	triangle lock 8 mm (standard)
Protection category	IP44
Water connection	yes (input 1/2", output 3/4")
Attachment	on concrete base (4×Ø13.5 mm) or optionally with floor flange

### Accessories

**250214** ✓ Floor flange stainless steel

**246789** ✓ Water tap stainless steel

**250452** ✓ Air connection stainless steel

**256080** ✓ Interior lighting LED spotlight 230V 10W, 3'000K, 750lm with motion and daylight sensor

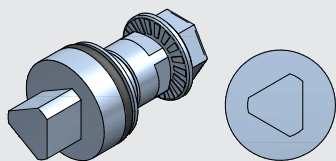
**257487** ✓ Cable outlet-insertion piece with strip brush

**259845** Self-locking closure set

# Sash locks for RONDO M and L

## Sash lock

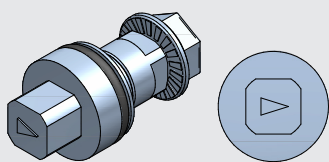
## Keys



Item no. **250252**  
Designation Sash triangle lock 8mm



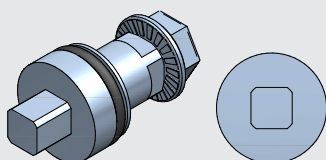
Item no. **047659** ✓  
Designation Triangle lock key 8mm



Item no. **029622**  
Designation Sash square lock 8mm



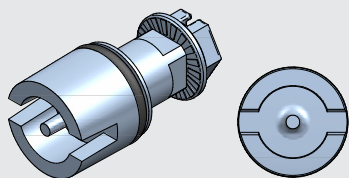
Item no. **011691** ✓  
Designation Square lock key 8mm



Item no. **240271**  
Designation Sash square lock 6mm



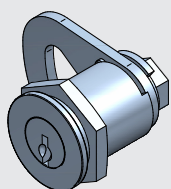
Item no. **011692** ✓  
Designation Square lock key 6mm



Item no. **173217**  
Designation Sash lock double-bit 3mm



Item no. **011527** ✓  
Designation Key double-bit 3mm



Item no. **011804**  
Designation Combination KABA 5000  
with hook tongue Item no. 246646

The QUADRO consists of a robust, solid housing with a lockable door. Thanks to the modular design, the desired equipment can be installed.

The QUADRO is assembled on a concrete base provided on-site by the customer or on the optionally available floor flange. The QUADRO can then be connected to the power supply and is thereby ready for operation.

The insertion piece for the cable outlet can be lifted for operation, meaning that operation is also possible with the door closed. The QUADRO is completely wired up by GIFAS and delivered ready for connection.

We are also happy to provide specific customer solutions.

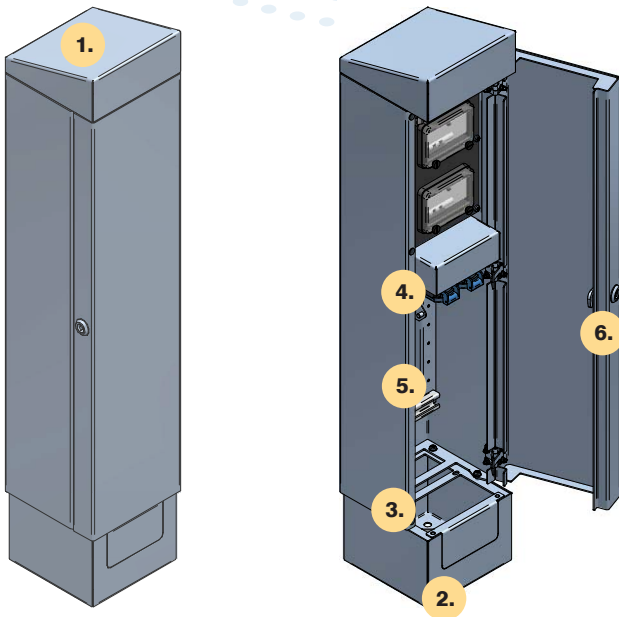
## Floor flange optionally

The floor flange is made of stainless steel V2A, 1.4301, with anti-rotation protection. The anchoring is used if a concrete base for the QUADRO assembly has not been provided on-site by the customer. The excavation work and the professional assembly of the floor flange in accordance with the standards have to be carried out on site.

Technical data	
□	220 mm
Height	1'139 mm
Unladen weight	~23 kg
Material	stainless steel V2A, 1.4301
Wall thickness	2 mm
Surface/Colour	V2A polished (optional RAL 9007 – other colours on request)
Protection category	IP44
Locking device	triangle lock 8 mm
Water connection	input 1/2" output 3/4"
Air connection	input 1/2" output eSafe quick coupling
Max. access	2×Ø36 mm
Max. equipment	CEE 32/5
Max. diameter of supply line	2×27 mm
Max. pre-fuse	80 A
Heating band	optional (in combination with water connection)
Floor flange	optional, item no. 257607

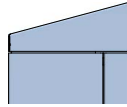
# QUADRO S

## Construction



### 1. Column

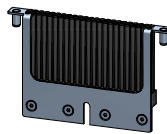
- Unladen weight: ~23 kg
- material: stainless steel V2A, 1.4301
- surface/colour: V2A polished, RAL 9007 or painted according to customer requirements
- cover: slanted



### 2. Cable outlet – insertion piece

Cable outlet flap removable 122×70 mm

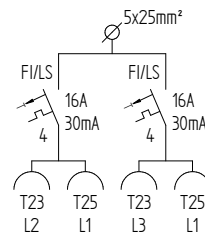
- optionally with strip brush (Item no. 258952)



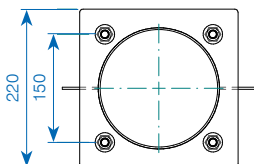
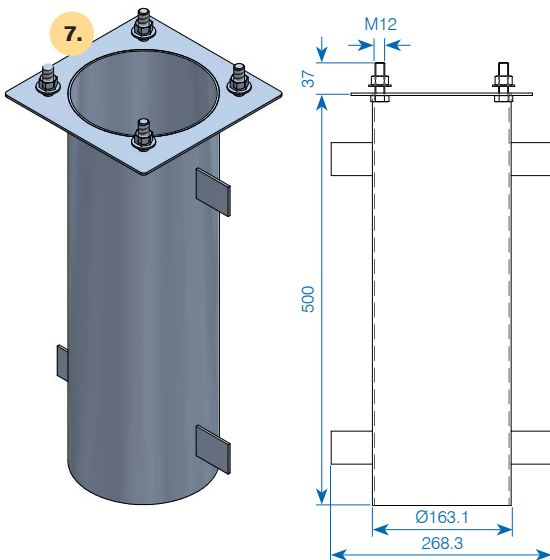
### 3. Holder for cable outlet flap

### 4. Power distribution

equipped according to customer requirements

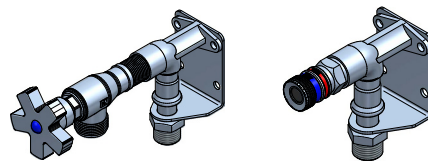


## Measurements floor flange



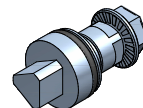
### 5. Water and air connection (optionally with heating band)

equipped according to customer requirements



### 6. Standard lock

Triangle lock 8 mm



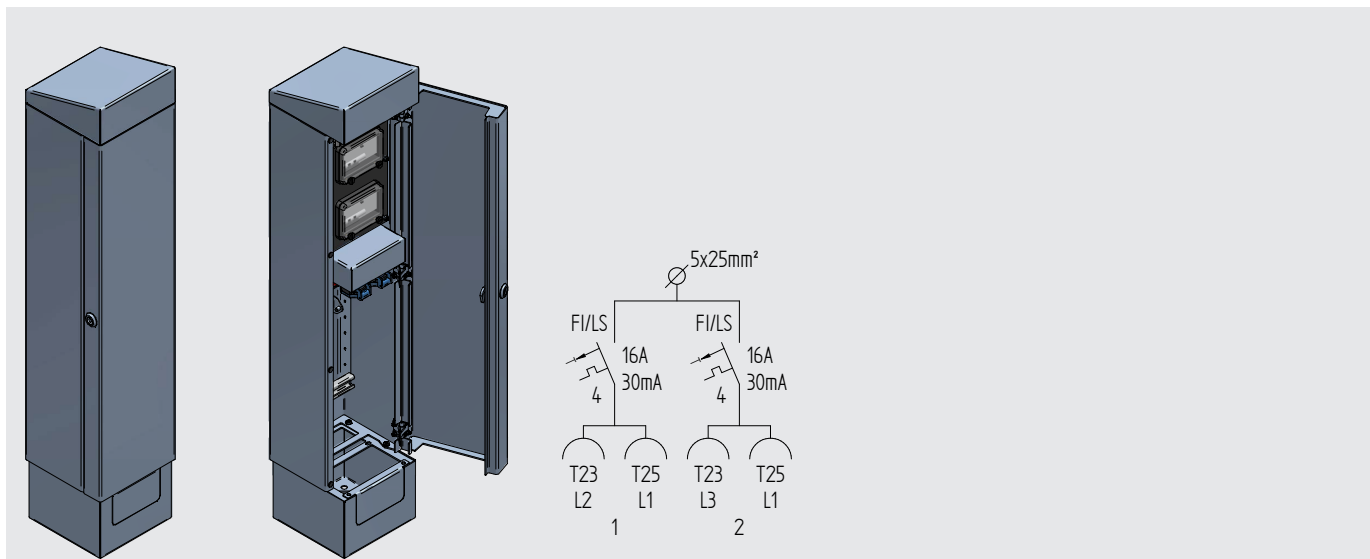
Other locks optionally, see page 40

### 7. Floor flange (optional)

- ideal for installation in solid base (e.g. concrete)
- 4×M12×37 mm

# QUADRO S

## Standard range



Item no.	<b>257806</b>
<input type="checkbox"/>	220 mm
Height	1'139 mm
Equipment	2×T23 2×T25
Input	2×cable entry grommet M40 Ø12-27 mm
Max. pre-fuse	80 A
Surface/Colour	V2A polished
Locking device	triangle lock 8 mm (standard)
Protection category	IP44
Attachment	optional floor flange (item no. 257607)

### Accessories

**257607** Floor flange stainless steel

**246789** ✓ Water tap stainless steel

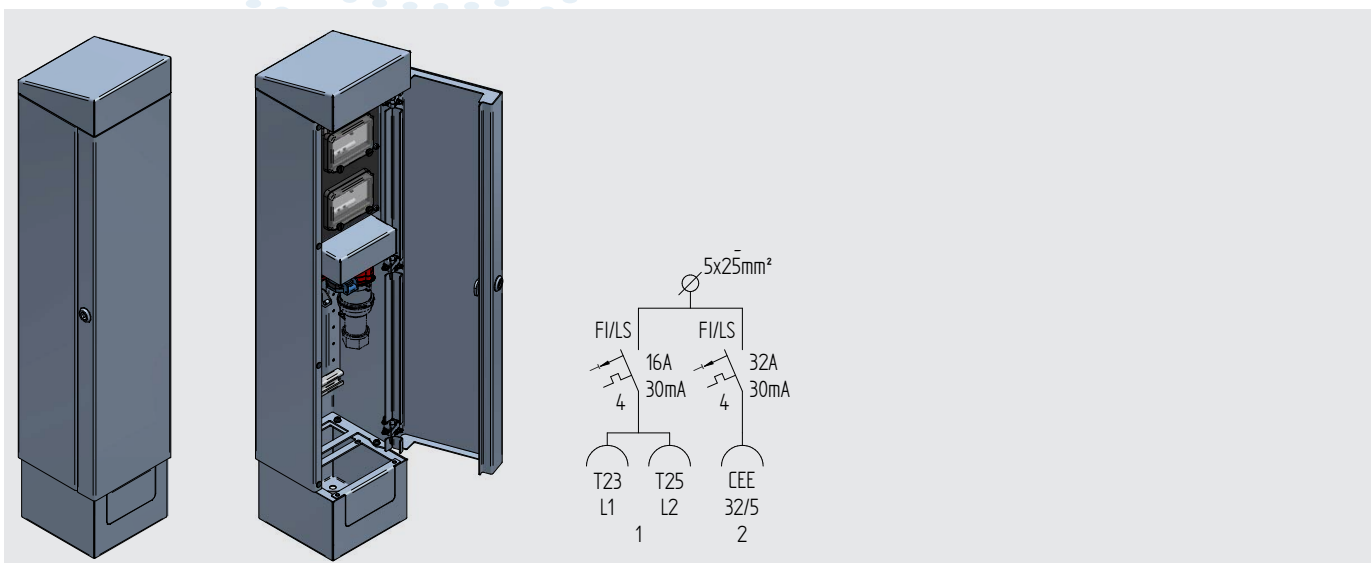
**250452** ✓ Air connection stainless steel

**258952** Cable outlet-insertion piece with strip brush

**259846** Self-locking closure set

# QUADRO S

## Standard range



<b>Item no.</b>	<b>257812</b>
<input type="checkbox"/>	220 mm
<b>Height</b>	1'139 mm
<b>Equipment</b>	1×T23 1×T25 1×CEE 32/5
<b>Input</b>	2×cable entry grommet M40 Ø12-27 mm
<b>Max. pre-fuse</b>	80 A
<b>Surface/Colour</b>	V2A polished
<b>Locking device</b>	triangle lock 8 mm (standard)
<b>Protection category</b>	IP44
<b>Attachment</b>	optional floor flange (item no. 257607)

### Accessories

- 257607 Floor flange stainless steel
- 246789 ✓ Water tap stainless steel
- 250452 ✓ Air connection stainless steel
- 258952 Cable outlet-insertion piece with strip brush
- 259846 Self-locking closure set

The QUADRO consists of a robust, solid housing with a lockable door. Thanks to the modular design, the desired equipment can be installed.

The QUADRO is assembled on a concrete base provided on-site by the customer or on the optionally available floor flange. The QUADRO can then be connected to the power supply and is thereby ready for operation.

The insertion piece for the cable outlet can be lifted for operation, meaning that operation is also possible with the door closed. The QUADRO is completely wired up by GIFAS and delivered ready for connection.

We are also happy to provide specific customer solutions.

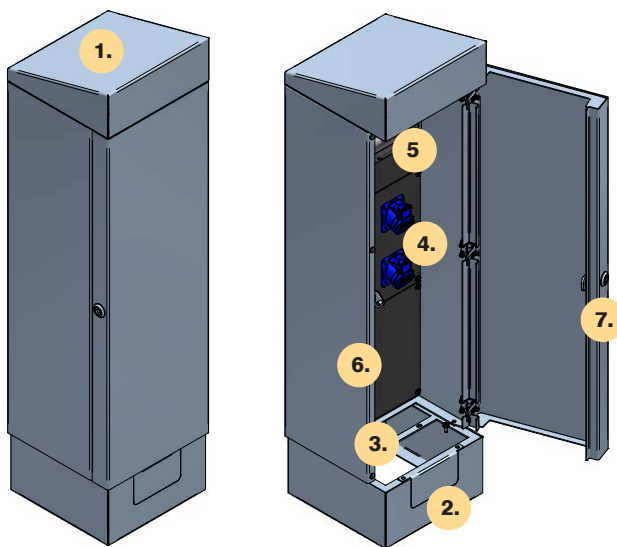
## Floor flange optionally

The floor flange is made of stainless steel V2A, 1.4301, with anti-rotation protection. The anchoring is used if a concrete base for the QUADRO assembly has not been provided on-site by the customer. The excavation work and the professional assembly of the floor flange in accordance with the standards have to be carried out on site.

Technical data	
□	300mm
Height	1'160mm
Unladen weight	~34kg
Material	stainless steel V2A, 1.4301
Wall thickness	2mm
Surface/Colour	V2A polished (optional RAL 9007 – other colours on request)
Protection category	IP44
Locking device	triangle lock 8mm
Water connection	input 1/2" output 3/4"
Air connection	input 1/2" output eSafe quick coupling
Max. access	2×Ø36mm
Max. equipment	CEE 32/5
Max. diameter of supply line	2×36mm
Max. pre-fuse	125A
Interior lighting	optional, item no. 256080
Heating band	optional (in combination with water connection)
Floor flange	optional, item no. 257334

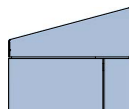
# QUADRO M

## Construction



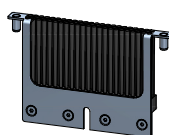
### 1. Column

- unladen weight: ~34 kg
- material: stainless steel V2A, 1.4301
- surface/colour: V2A polished, RAL 9007 or painted according to customer requirements
- cover: slanted



### 2. Cable outlet – insertion piece

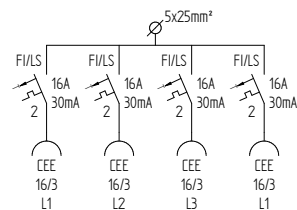
- Cable outlet flap removable 122×70 mm
- optionally with strip brush (Item no. 258952)



### 3. Holder for cable outlet flap

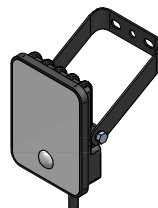
### 4. Power distribution

- equipped according to customer requirements



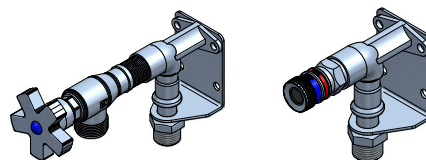
### 5. Interior lighting (optional)

- 230V LED spotlight with motion and daylight sensor



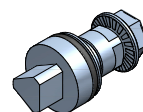
### 6. Water and air connection (optionally with heating band)

- equipped according to customer requirements



### 7. Standard lock

- Triangle lock 8 mm

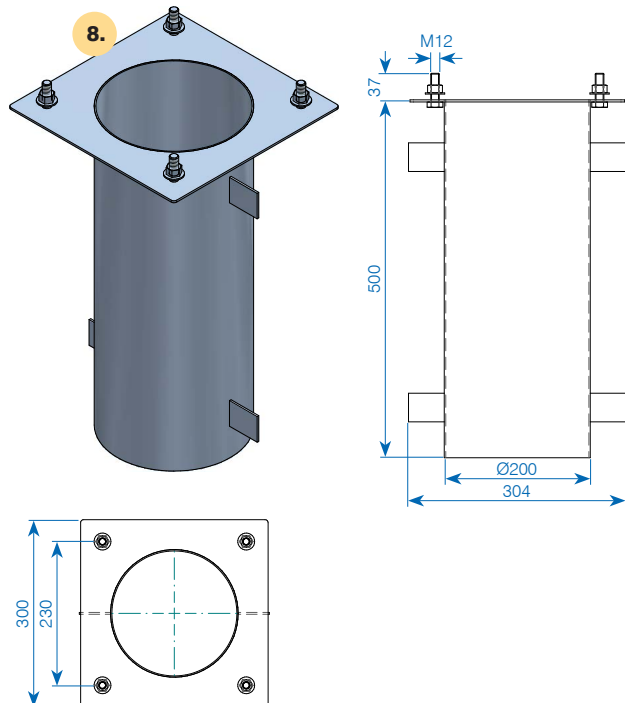


Other locks optionally, see page 40

### 8. Floor flange (optional)

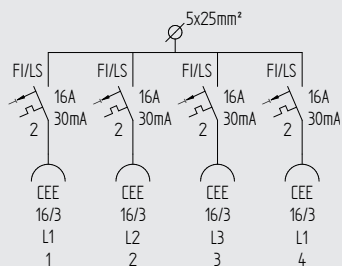
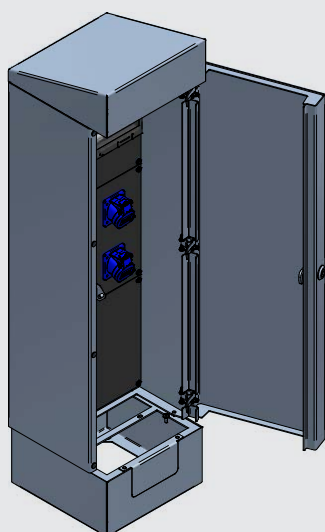
- ideal for installation in solid base (e.g. concrete)
- 4×M12×37 mm

## Measurements floor flange



# QUADRO M

## Standard range



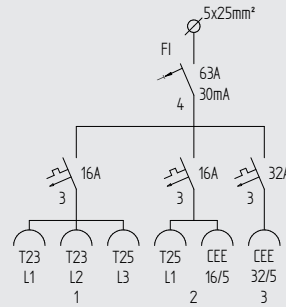
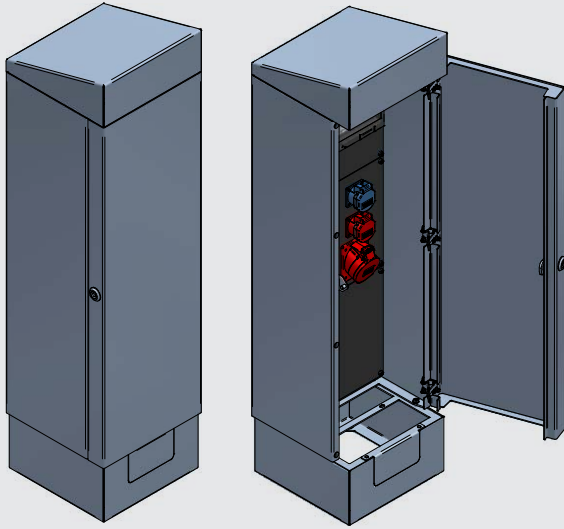
Item no.	<b>255506</b>
<input type="checkbox"/>	300 mm
Height	1'160 mm
Equipment	4×CEE 16/3
Input	2×cable entry grommet M50 Ø22 - 36mm
Max. pre-fuse	80 A
Surface/Colour	V2A polished
Locking device	triangle lock 8 mm (standard)
Protection category	IP44
Attachment	optional floor flange (item no. 257334)

### Accessories

<b>257334</b>	Floor flange stainless steel
<b>246789</b> ✓	Water tap stainless steel
<b>250452</b> ✓	Air connection stainless steel
<b>256080</b> ✓	Interior lighting LED spotlight 230V 10W, 3'000K, 750lm with motion and daylight sensor
<b>258952</b>	Cable outlet-insertion piece with strip brush
<b>259846</b>	Self-locking closure set

# QUADRO M

## Standard range



Item no.	<b>262397</b>
<input type="checkbox"/>	300 mm
Height	1'160 mm
Equipment	2×T23 2×T25 1×CEE 16/5 1×CEE 32/5
Input	2×cable entry grommet M50 Ø22 - 36 mm
Max. pre-fuse	80 A
Surface/Colour	V2A polished
Locking device	triangle lock 8 mm (standard)
Protection category	IP44
Attachment	optional floor flange (item no. 257334)

### Accessories

<b>257334</b>	Floor flange stainless steel
<b>246789</b> ✓	Water tap stainless steel
<b>250452</b> ✓	Air connection stainless steel
<b>256080</b> ✓	Interior lighting LED spotlight 230V 10W, 3'000K, 750lm with motion and daylight sensor
<b>258952</b>	Cable outlet-insertion piece with strip brush
<b>259846</b>	Self-locking closure set

The QUADRO consists of a robust, solid housing with a lockable door. Thanks to the modular design, the desired equipment can be installed.

The QUADRO is assembled on a concrete base provided on-site by the customer or on the optionally available floor flange. The QUADRO can then be connected to the power supply and is thereby ready for operation.

The insertion piece for the cable outlet can be lifted for operation, meaning that operation is also possible with the door closed. The QUADRO is completely wired up by GIFAS and delivered ready for connection.

We are also happy to provide specific customer solutions.

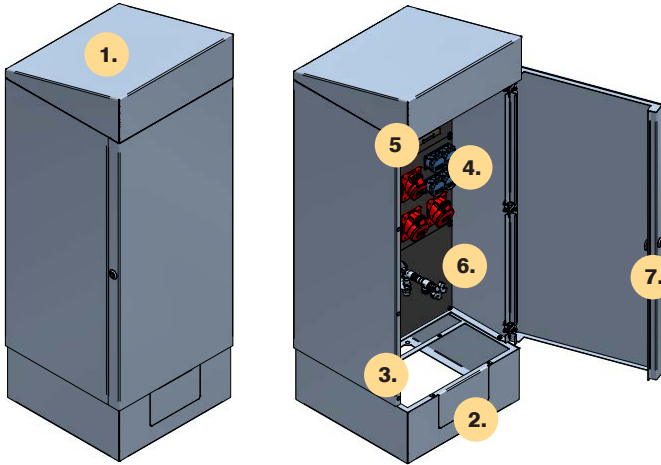
## Floor flange optionally

The floor flange is made of stainless steel V2A, 1.4301, with anti-rotation protection. The anchoring is used if a concrete base for the QUADRO assembly has not been provided on-site by the customer. The excavation work and the professional assembly of the floor flange in accordance with the standards have to be carried out on site.

Technical data	
□	500mm
Height	1'376mm
Unladen weight	~63kg
Material	stainless steel V2A, 1.4301
Wall thickness	2mm
Surface/Colour	V2A polished (optional RAL 9007 – other colours on request)
Protection category	IP44
Locking device	triangle lock 8mm
Water connection	input 1/2" output 3/4"
Air connection	input 1/2" output eSafe quick coupling
Max. access	2×Ø36mm
Max. equipment	CEE 125/5
Max. diameter of supply line	2×60mm
Max. pre-fuse	160A
Interior lighting	optional, item no. 256080
Heating band	optional (in combination with water connection)
Floor flange	optional, item no. 257608

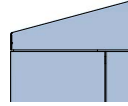
# QUADRO L

## Construction



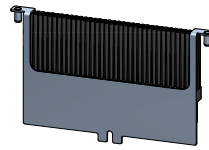
### 1. Column

- unladen weight: ~63 kg
- material: stainless steel V2A, 1.4301
- surface/colour: V2A polished, RAL 9007 or painted according to customer requirements
- cover: slanted



### 2. Cable outlet – insertion piece

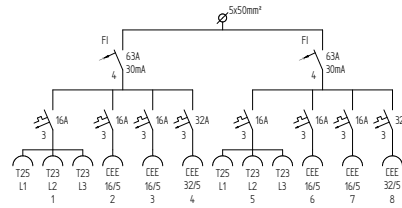
- Cable outlet flap removable 202x70 mm
- optionally with strip brush (Item no. 258953)



### 3. Holder for cable outlet flap

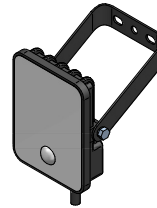
### 4. Power distribution

equipped according to customer requirements



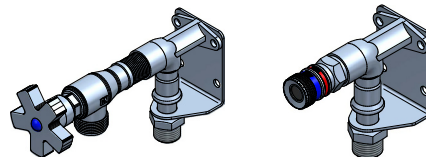
### 5. Interior lighting (optional)

230V LED spotlight with motion and daylight sensor



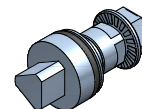
### 6. Water and air connection (optionally with heating band)

equipped according to customer requirements



### 7. Standard lock

Triangle lock 8 mm

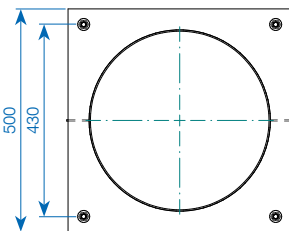
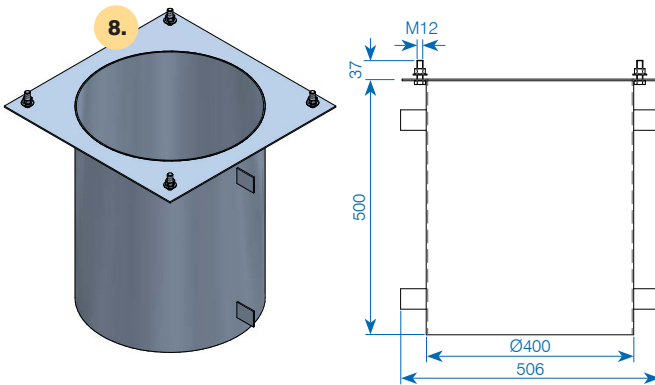


Other locks optionally, see page 40

### 8. Floor flange (optional)

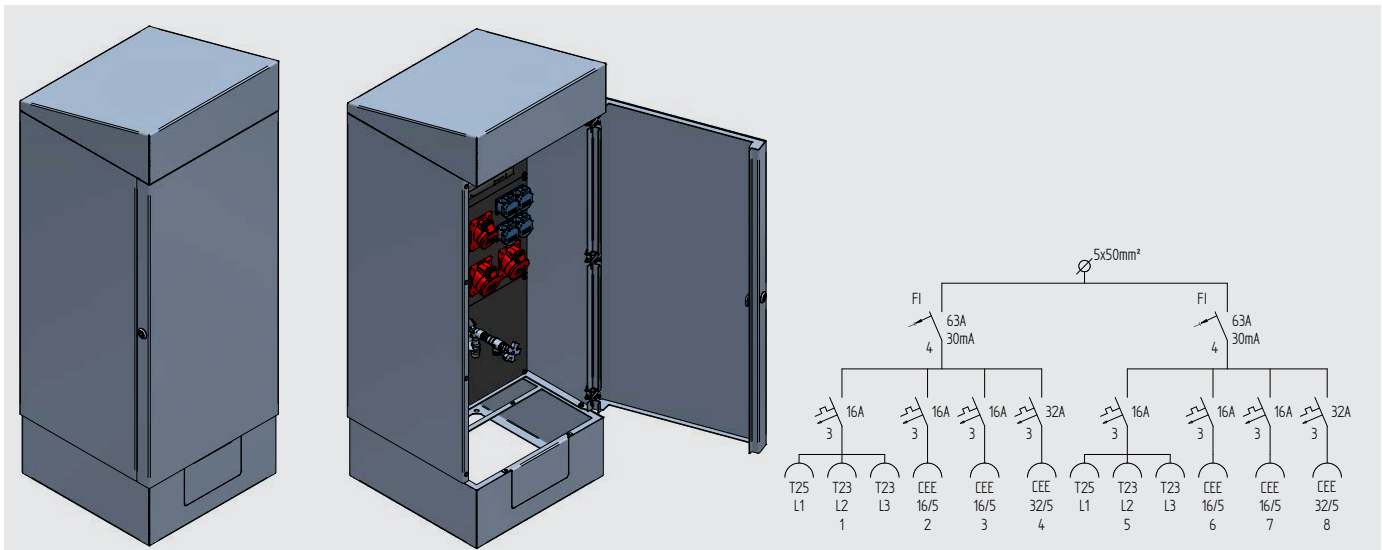
- ideal for installation in solid base (e.g. concrete)
- 4xM12x37 mm

## Measurements floor flange



# QUADRO L

## Standard range



Item no.	<b>257820</b>
<input type="checkbox"/>	500 mm
Height	1'376 mm
Equipment	4×T23 2×T25 4×CEE 16/5 2×CEE 32/5 water connection
Input	1× cable entry grommet M50 Ø22-36 mm 1× cable entry grommet M63 Ø27-50 mm
Max. pre-fuse	160 A
Surface/Colour	V2A polished
Locking device	triangle lock 8 mm (standard)
Protection category	IP44
Attachment	optional floor flange (item no. 257608)

### Accessories

**257608** Floor flange stainless steel

**246789** ✓ Water tap stainless steel

**250452** ✓ Air connection stainless steel

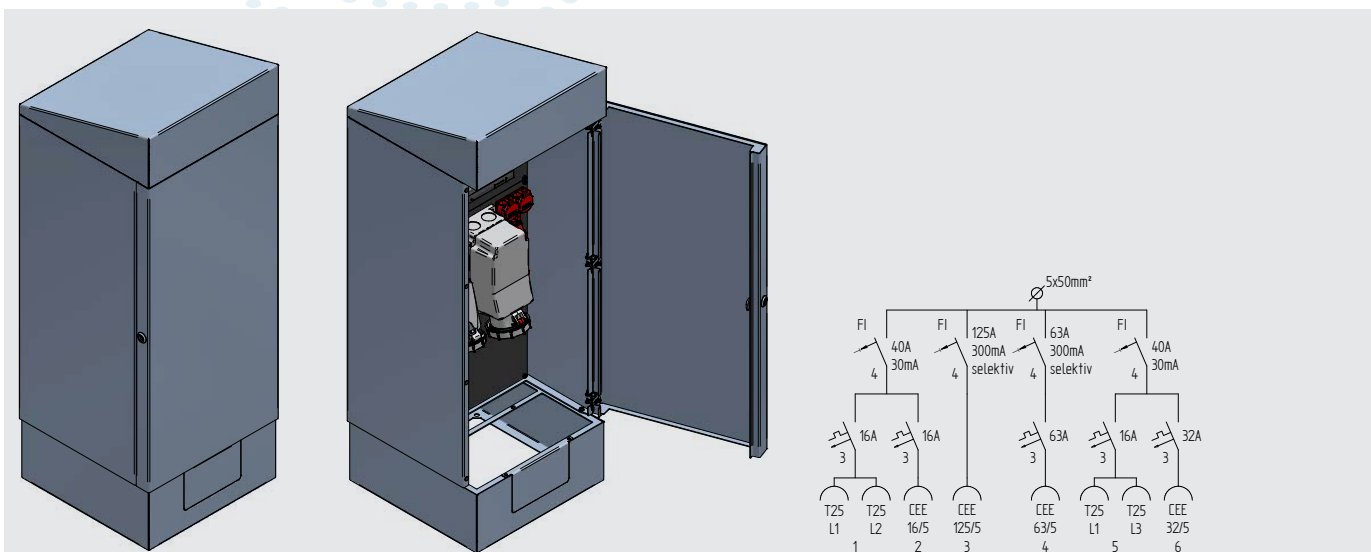
**256080** ✓ Interior lighting LED spotlight 230V 10W, 3'000K, 750lm with motion and daylight sensor

**258953** Cable outlet-insertion piece with strip brush

**259846** Self-locking closure set

# QUADRO L

## Standard range



Item no.	<b>258525</b>
<input type="checkbox"/>	500 mm
Height	1'376 mm
Equipment	4×T25 1×CEE 16/5 1×CEE 32/5 1×CEE 63/5 1×CEE 125/5
Input	1×cable entry grommet M50 Ø22 - 36 mm 1×cable entry grommet M63 Ø27 - 50 mm
Max. pre-fuse	125 A
Surface/Colour	V2A polished
Locking device	triangle lock 8 mm (standard)
Protection category	IP44
Attachment	optional floor flange (item no. 257608)

### Accessories

**257608** Floor flange stainless steel

**246789** ✓ Water tap stainless steel

**250452** ✓ Air connection stainless steel

**256080** ✓ Interior lighting LED spotlight 230V 10W, 3'000K, 750lm with motion and daylight sensor

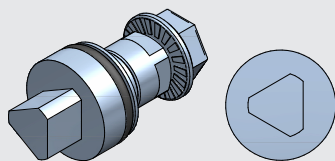
**258953** Cable outlet-insertion piece with strip brush

**259846** Self-locking closure set

# Sash locks for QUADRO S, M and L

## Sash lock

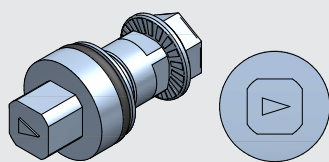
## Keys



Item no. **250252**  
 Designation Sash triangle lock 8mm



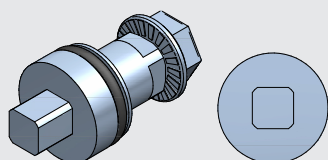
Item no. **047659** ✓  
 Designation Triangle lock key 8mm



Item no. **029622**  
 Designation Sash square lock 8mm



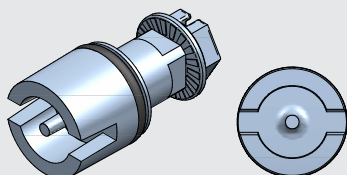
Item no. **011691** ✓  
 Designation Square lock key 8mm



Item no. **240271**  
 Designation Sash square lock 6mm



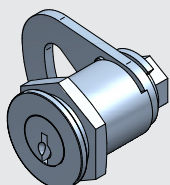
Item no. **011692** ✓  
 Designation Square lock key 6mm



Item no. **173217**  
 Designation Sash lock double-bit 3mm



Item no. **011527** ✓  
 Designation Key double-bit 3mm



Item no. **011804**  
 Designation Combination KABA 5000  
 with hook tongue Item no. 246646

# Solutions for industry

## EFFICIENT SOLUTIONS

The robust industrial columns are particularly suitable for the harsh environments which occur in workshops and industry. Neither chemical influences nor difficult weather conditions have an adverse effect on the reliability of the electric power supply thanks to the high degree of protection.

Depending on customer requirements, air connections, water supply or other components can also be integrated, thereby providing a complete supply directly at the workplace or by the machine.



# Solutions for leisure facilities

## INDIVIDUAL SOLUTIONS

The camping distributors are manufactured and provide a reliable electric power supply for mobile homes and caravans on camping sites. The robust design of the power column offers protection against vandalism and unauthorised power consumption and is resistant to all weather conditions.

The local fuse protection of the power connections and possible integrated lighting provide campers with a safe energy supply. Thanks to an integrated meter, the power consumption of the individual parking position is always clear, which ensures a relaxed stay on the camping site.



# Solutions Infrastructure

## FLEXIBLE SOLUTIONS

The compact weather-resistant power columns can be perfectly integrated on boat landing stages and Harbours. The unauthorised power consumption is not possible because of a mechanical locking device.

The local fuse protection of the sockets and the discreet lighting of the power column and the landing stage provide a safe electric power supply for the boats.



**GIFAS**  
ELECTRIC



**THE  
SOLUTION  
PARTNER**

**GIFAS-ELECTRIC GmbH**  
Dietrichstrasse 2  
CH-9424 Rheineck

+41 71 886 44 44  
info@gifas.ch  
www.gifas.ch